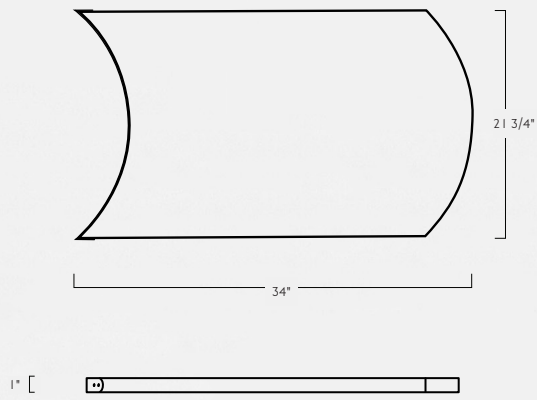


Wave Mirror



De JONG & Co

dejong@dejongandco.com

MSRP

Option	USD
--------	-----

Blackened Steel with Brass	4,400
----------------------------	-------



The Wave Mirror by De JONG & Co. is a minimal, contemporary design which brings simplicity, movement, and depth to the home. A walnut back is opposite a custom cut floating glass front and framed by a deep, handcrafted blackened steel patina with an elegant yet subtle satin brass highlight. A mirror is a functional and essential element of the home; the graphic shape and generous proportions of the Wave Mirror adds a focal point and makes any room feel more dynamic and spacious. Pictured in a blackened steel and satin brass frame, mirrored glass, and natural walnut back.